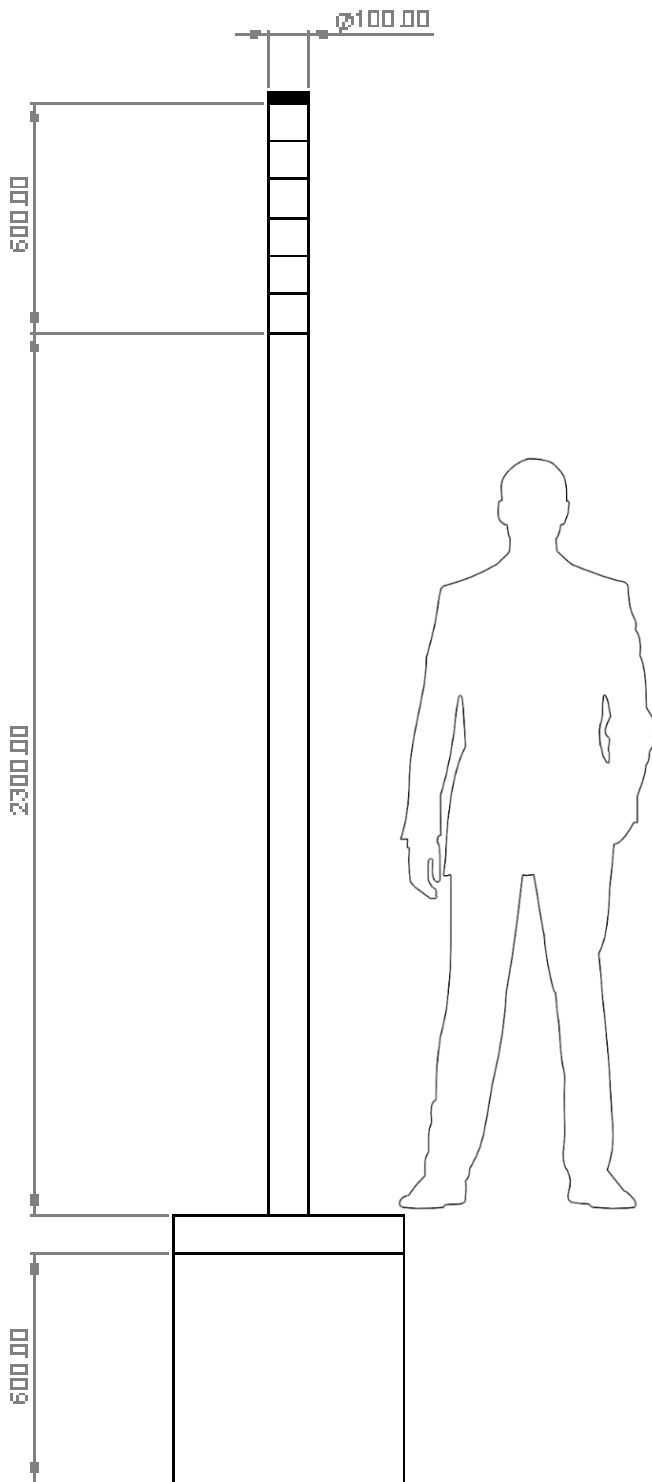


09/06/2016



Pear Tree Industrial Estate
Bath Road
Upper Langford
Bristol
BS40 5DJ

01934 852 888
e: sales@signscape.co.uk
w: www.sasl.co.uk



Standard Capability

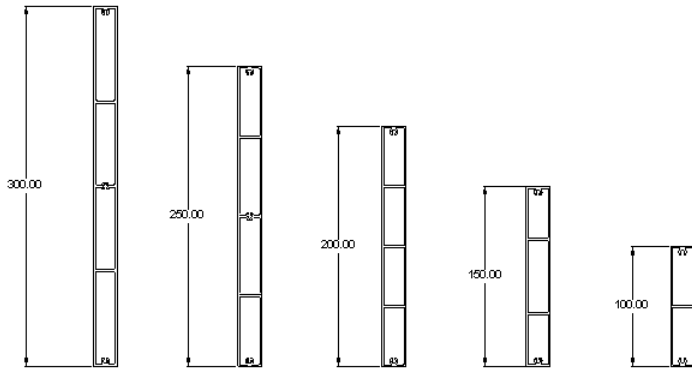
- 6no. X 100mm Swivel sockets undrilled (unless specified)
- Low profile finial top with locking screw.

Recommended Mounting Height

- 2300mm Surface level to underside of the lowest finger arm.
- Extendable if required after installation.

Recommended Planting

- ST.4 Concrete
- 600mm Minimum planting depth
- Standard base pin

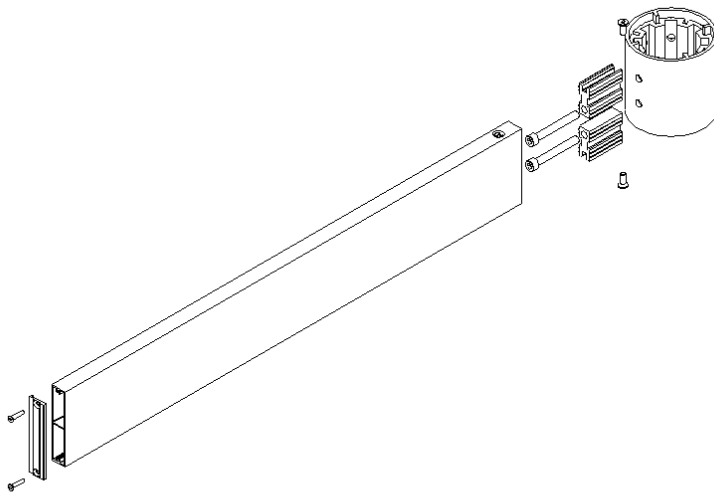


Standard Finger Panel Options

- 100mm x 20mm
- 150mm x 20mm
- 200mm x 20mm
- 250mm x 20mm
- 300mm x 20mm

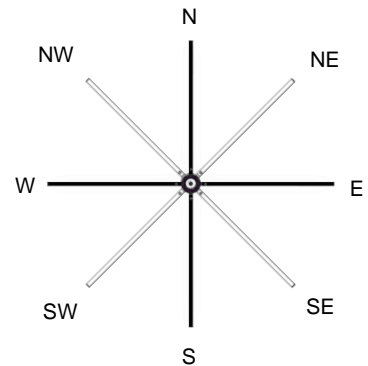
Standard Length – 900mm x 20mm

Standard End Style - Square Ended



Mountings Positions

- 8no Mounting positions one level
- 45 degree increments



Standard Finial Options

- 50mm
- 100mm
- 150mm